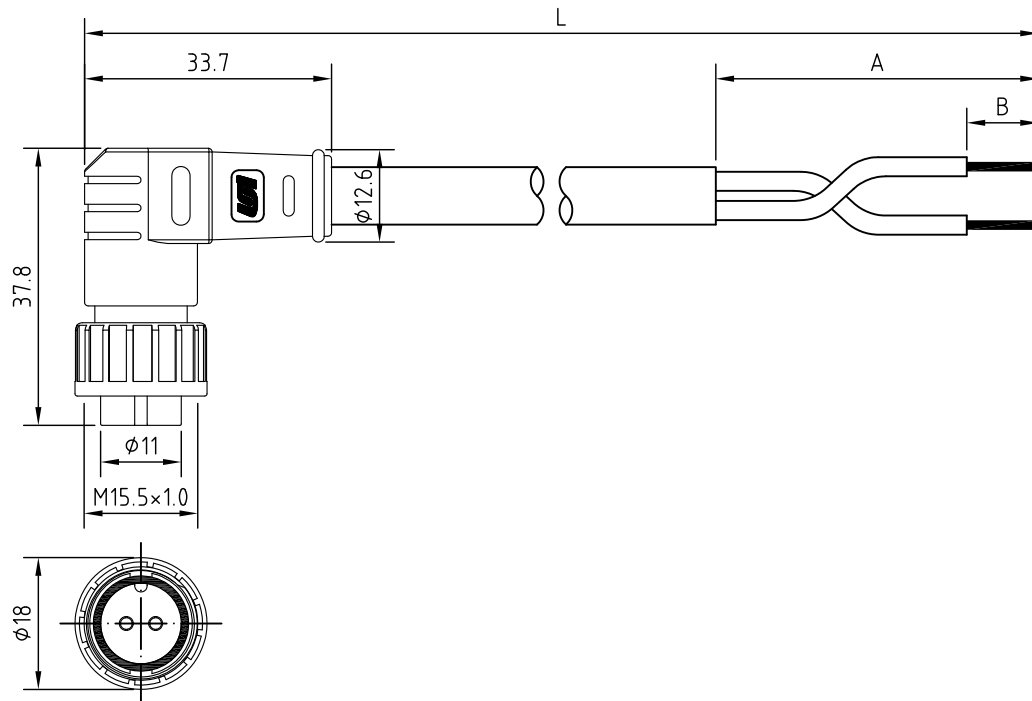


REV.	Description	Date
1	spec. revise	2012/11/12
2	upgrade drawing	2014/3/17
3	part number change	2024/11/27



Specification of connector

General Characteristics

Locking system : screw M15.5
 Termination : solder
 Shell protection : IP68
 Contact resistance : $\leq 10\text{m}\Omega$
 Insulation resistance : $\geq 10\text{M}\Omega$

Materials

Socket contact : brass
 Contact plating : gold
 Female insert : PA
 Ring nut : PA
 O-ring : rubber

Specification of cable

Material Jacket	PVC	PUR

RoHS

CONTACT ARRANGEMENT FRONT VIEW (FEMALE)	02P	03P	04A	04B	05P	06P	07P	08P	10P	12P
Rated voltage	250V		250V	125V				60V		
Rated current	10A			5A				2A		



Unicable Co., Ltd. 國陽電業有限公司

5F., No. 111-33, Sec. 4, San Ho Road., San Chung Dist., New Taipei City, Taiwan
<http://www.unicable.com.tw> Tel:+886-2-2286-2122 Fax:+886-2-2286-1010

PART NO.	3081A-A04F11xxx-01/UT-D231F4-1-XP		
DATE	2024/11/27	UNIT	MM
DWN	GINA	REV.	3
CHK			

ITEM	Sensor Connector M15.5
------	------------------------